

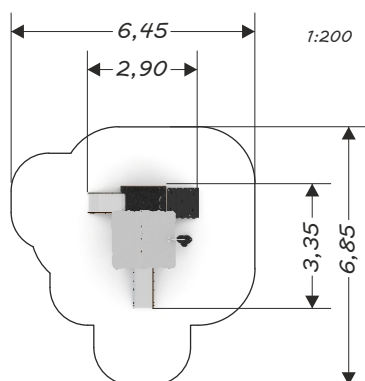
crooc 0305C9

PLAYGROUND EQUIPMENT

Device Specifications	
Safety zone	32,20 m ²
Length	2,90 m
Width	3,35 m
Total height	2,50 m
Free fall height	0,90 m
Age range	3-12 yrs
In accordance w/ EN standards	1176-1:2008
Availability of spare parts	Yes
Weight of the heaviest part [kg]	38
Dimension of the biggest part [cm]	305x8x8



Minimal space



MATERIAL SPECIFICATION

Crooc series – modernly designed multifunctional playground devices made from highest quality materials. A multitude of athletic elements and long tube slides made out of stainless steel will bring lots of joy to their users.

- 80x80 mm stainless steel construction;
- Roofs and shields made out of atmospheric condition resistant HDPE or HPL polythene plates;
- Platforms and climbing walls made out of HDPE polythene plates or durable waterproof anti-skidding plates;
- All screws covered with colorful plastic caps;
- No sharp edges or chinks that would pose a danger for jamming of the head, fingers or any other body parts;
- Steel ropes enclosed with polypropylene, linked by durable plastic elements;
- Other metal elements made out of stainless steel;
- Safe rubber plug buttons topping the construction;

ADDITIONAL COMMENTS

- The device is certified by an accrediting organization; or declaration of conformity;
- Embedded 80/70/60 cm deep in flat ground;
- The device is designed for public playground;
- The slide should not be positioned in a southbound direction;

Due to the free fall height of the device 0305C9, the EN 1176-1:2008 standard allows the following surfaces to cushion a fall. The level of granular materials requires filling in, conservation of synthetic materials is required in accordance with the manufacturer's instructions. Dimensions of the foundation are described in installation instruction.

Material	Description[mm]	Minimal layer thickness [mm]	*Dimensions foundation
Turf/Soil			A,B,C
Tree bark	Grain size from 20 to 80	300	A,C
Chip	Grain size from 5 to 30	300	A,C
Sand	Grain size from 0,2 to 2	300	A,C
Gravel	Grain size from 2 to 8	300	A,C
Synthetic materials	Free fall approval \geq 900		A,B,C



Vinci-play playground and outdoor fitness manufacturer